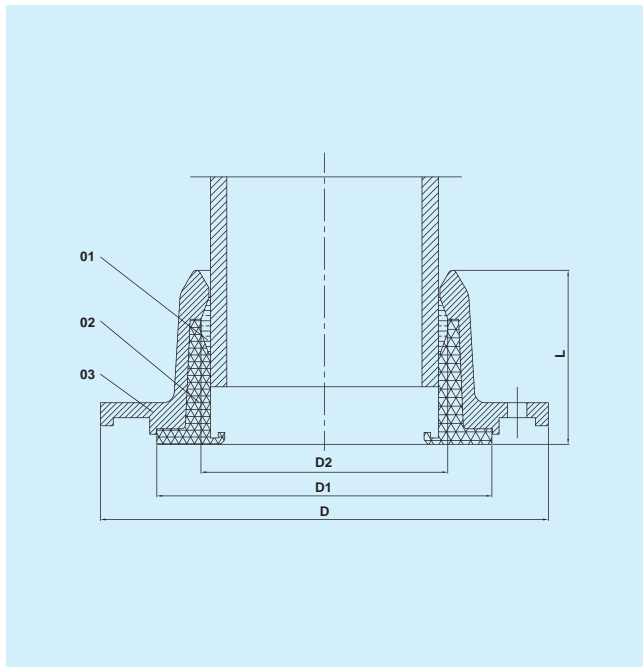


# PE/PVC QUICK ADAPTOR



## Briefs

- Connection for pipes in material PE, PVC etc;
- Working pressure PN10/16;
- Maximum temperature -10 °C to +70 °C;
- Suitable for portable water, neutral liquids and sewage;
- WRAS approved.

## Standards

- Flange: EN 1092-2;
- Coating: EN30677;
- Test: EN 12266-1.

## Features

- Corrosion resistant construction.

## Options

- Flange drilling with BS or ANSI standard;
- Various coating;
- Seal: NBR etc;
- For PVC pipe without brass grip.

## Assembly Chart

ITEM	DESCRIPTION	MATERIAL	STANDARD
1	GRIP	BRASS	EN1982
2	GASKET	EPDM	EN 681-1
3	BODY	EN GJS400-15	EN 1563

## Specifications & Parameters Chart

DN	NOM. O.D. mm	D1 mm	D2 mm	L mm	D mm
50	66	93	74	46	165
65	66	93	74	46	185
65	78	103	86	50	185
80	93	125	101	52	200
100	113	143	122	58	220
100	128	163	137	60	220
125	128	163	137	60	250
125	143	177	152	65	250

DN	NOM. O.D. mm	D1 mm	D2 mm	L mm	D mm
150	164	203	172	74	285
150	184	224	194	76	285
200	204	259	214	76	340
200	229	274	239	80	340
250	254	310	264	90	400
250	284	326	294	92	400
300	319	360	329	100	455
400	415	456	414	122	580