

GIBAULT JOINT



Briefs

- Connection for pipes in material PVC, AC etc;
- Working pressure PN10/16;
- Maximum temperature -10 °C to +70 °C;
- Suitable for portable water, neutral liquids and sewage.

Standards

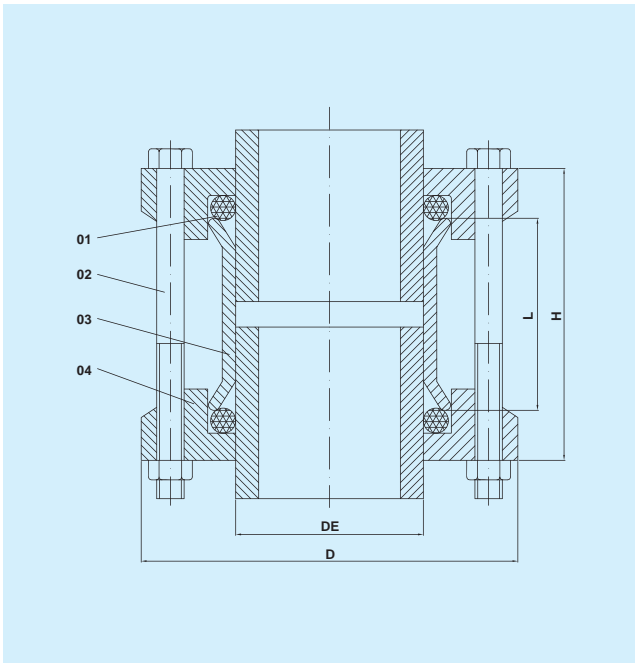
- Coating: EN30677;
- Test: EN 12266-1.

Features

- Corrosion resistant construction;
- Angular deflection of $\pm 3^\circ$.

Options

- GD8.8, Stainless steel, Dacromet bolt;
- Various coating;
- Seal: NBR etc.



Assembly Chart

| ITEM | DESCRIPTION | MATERIAL | STANDARD |
|------|-------------|--------------|------------|
| 1 | O-RING | EPDM | EN 681-1 |
| 2 | FASTENER | GD 4.8 | COMMERICAL |
| 3 | SLEEVE | EN GJS400-15 | EN 1563 |
| 4 | END RING | EN GJS400-15 | EN 1563 |

Specifications & Parameters Chart

| DE | L | H | D | BOLT | |
|-----|-----|-----|-----|---------|-----|
| | mm | mm | mm | SIZE | QTY |
| 63 | 125 | 150 | 137 | M12X180 | 2 |
| 75 | 125 | 168 | 149 | M12X180 | 2 |
| 90 | 125 | 154 | 164 | M12X180 | 3 |
| 110 | 145 | 175 | 184 | M12X210 | 3 |
| 125 | 145 | 189 | 199 | M12X210 | 3 |
| 140 | 145 | 189 | 214 | M12X220 | 4 |
| 160 | 185 | 215 | 234 | M12X250 | 4 |
| 180 | 185 | 229 | 254 | M12X250 | 4 |
| 200 | 185 | 229 | 274 | M12X250 | 6 |
| 250 | 205 | 241 | 341 | M12X280 | 6 |
| 315 | 205 | 241 | 406 | M12X280 | 6 |