

DISMANTLING JOINT



Briefs

- provides easy installation and disassembly of flanged equipment;
- Working pressure PN10/16/25/40;
- Maximum temperature -10 °C to +70 °C;
- Suitable for portable water, neutral liquids and sewage.

Standards

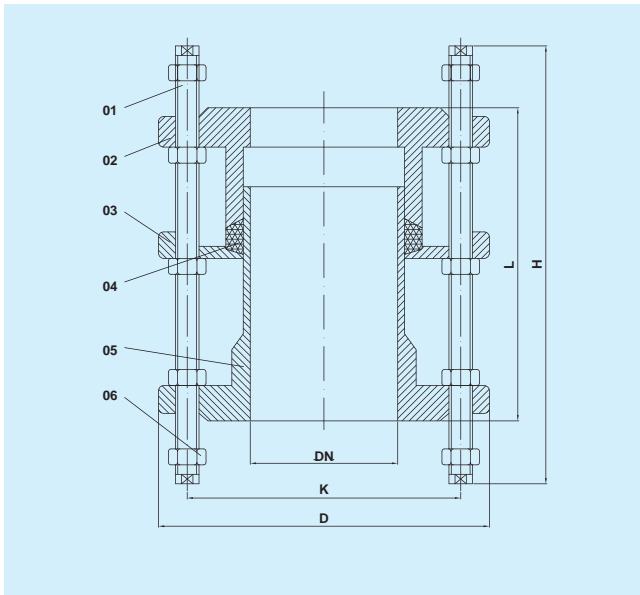
- Flange: EN 1092-2;
- Coating: EN30677;
- Test: EN 12266-1.

Features

- Corrosion resistant construction;
- Studs are located on every flange hole;
- Tie rods are required from the upstream to downstream sides of the pipe equipment installation.

Options

- Flange drilling with BS or ANSI standard;
- GD8.8, Steel, Dacromet bolt;
- Various coating;
- Seal: NBR etc.



Assembly Chart

ITEM	DESCRIPTION	MATERIAL
1	STUD	GD 4.8
2	SHORT PIECE	Steel
3	RETAINING FLANGE	Steel
4	GASKET	EPDM
5	LONG PIECE	Steel
6	NUT	GD 4.8

Specifications & Parameters Chart

DN	PN10					PN16					PN25				
	L	D	K	H	STUD	L	D	K	H	STUD	L	D	K	H	STUD
40	180	150	110	330	M16X4	180	150	110	330	M16X4	190	150	110	340	M16X4
50	180	165	125	330	M16X4	180	165	125	330	M16X4	200	165	125	350	M16X4
65	180	185	145	330	M16X4	180	185	145	330	M16X4	200	185	145	350	M16X8
80	200	200	160	350	M16X8	200	200	160	350	M16X8	210	200	160	360	M16X8
100	200	220	180	350	M16X8	200	220	180	350	M16X8	220	235	190	370	M20X8
125	200	250	210	350	M16X8	200	250	210	350	M16X8	220	270	220	380	M24X8
150	200	285	240	350	M20X8	200	285	240	350	M20X8	230	300	350	390	M24X8
200	220	340	295	380	M20X8	220	340	295	380	M20X12	230	360	310	400	M24X12
250	220	400	350	380	M20X12	230	400	355	400	M24X12	250	425	370	430	M27X12
300	220	455	400	390	M20X12	250	455	410	420	M24X12	250	485	430	440	M27X16
350	230	505	460	400	M20X16	260	520	470	440	M24X16	270	555	490	470	M30X16
400	230	565	515	410	M24X16	270	580	525	460	M27X16	280	620	550	490	M33X16
450	250	615	565	430	M24X20	270	640	585	470	M27X20	280	670	600	490	M33X20
500	260	670	620	450	M24X20	280	715	650	490	M30X20	300	730	660	520	M33X20
600	260	780	725	460	M27X20	300	840	770	520	M33X20	320	845	770	560	M36X20
700	260	895	840	460	M27X24	300	910	840	520	M33X24	340	960	875	590	M39X24
800	290	1010	950	500	M30X24	320	1025	950	550	M36X24	360	1085	990	630	M45X24
900	290	1115	1050	500	M30X28	320	1125	1050	560	M36X28	380	1185	1090	660	M45X28
1000	290	1230	1160	510	M33X28	340	1255	1170	600	M39X28	400	1320	1210	690	M52X28
1200	320	1455	1380	570	M36X32	360	1485	1390	650	M45X32	450	1530	1420	780	M52X32

*Size 1200+ are available on application