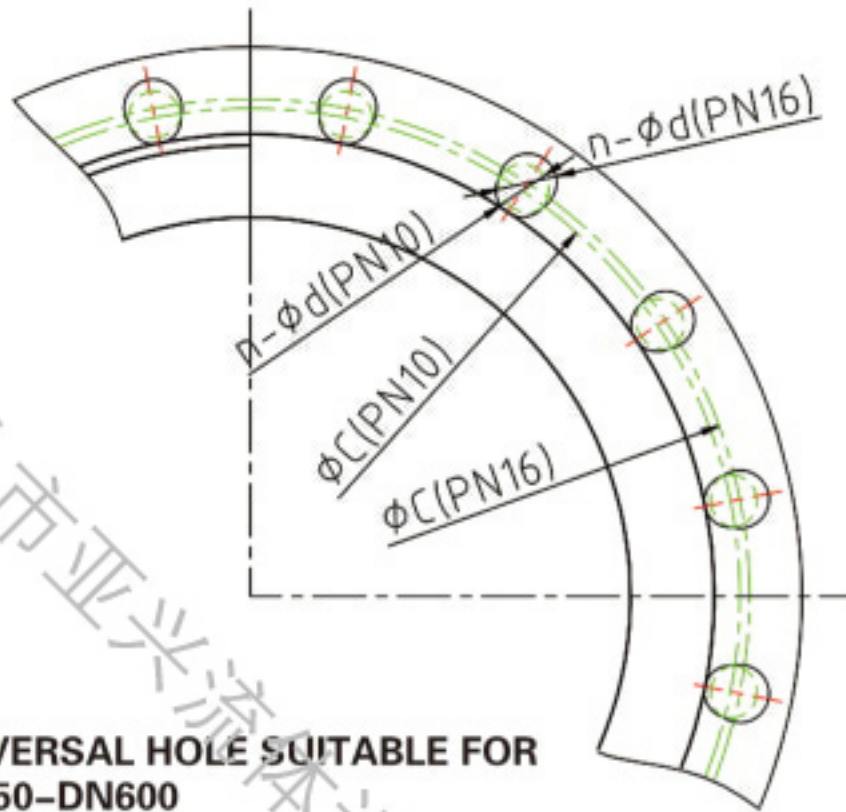
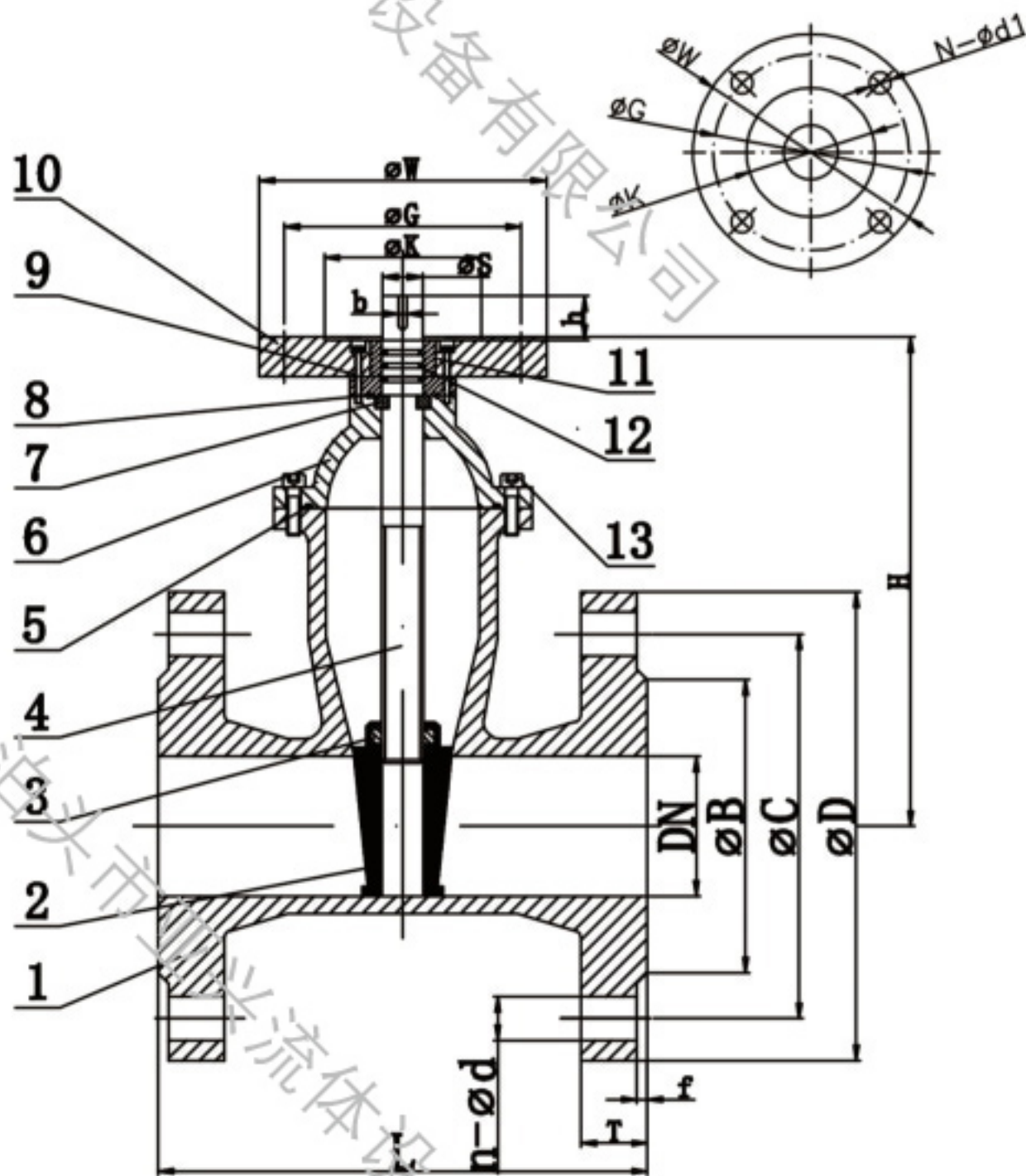


GATE VALVE

RESILIENT SEATED GATE VALVE WITH ISO TOP FLANGE DIN3352 F4 DN40-DN600



*UNIVERSAL HOLE SUITABLE FOR
DN250-DN600



| Part & Materials | | |
|------------------|---------------|--------------------------|
| NO | Part | Material |
| 1 | Body | Ductile Iron GGG50 |
| 2 | Wedge | Ductile Iron GGG50 +EPDM |
| 3 | Stem | SS420 |
| 4 | Stem Nut | Brass |
| 5 | Gasket | EPDM |
| 6 | Bonnet | Ductile Iron GGG50 |
| 7 | Locating Ring | Brass |
| 8 | O Ring | EPDM |
| 9 | Bolts | CS Gr 8.8 |
| 10 | Flanged | Ductile Iron GGG50 |
| 11 | Gland | Ductile Iron GGG50 |
| 12 | O Ring | EPDM |
| 13 | Bolts | CS Gr 8.8 |

| Technical Data | | |
|------------------|----------------------------|--|
| NO | Description | Specification |
| 1 | Nominal Dia | DN40-DN600 |
| 2 | Nominal Pressure | PN10&PN16 |
| 3 | Valve Design Standard | DIN3352 F4 |
| 4 | Face to Face Standard | EN558&ISO5752 Series-14 |
| 5 | Flange Standard Conformity | DIN2533 |
| 6 | Testing Standard | DIN3230 |
| 7 | Expoxy Coating | Epoxy powder coating with minimum thickness of 250 microns inside and outside. |
| Testing Pressure | | |
| 8 | Shell Test | PN*1.5Times |
| | Sealing Test | PN*1.1Times |
| 9 | Working Temperature(Max) | 120°C |

DIMENSIONS (MM) * THE MENTIONED TORQUE DO NOT INCLUDE ANY SAFETY FACTOR.

| DN | L | D | | C | | B | | n-d | | T | | f | Flange Type | W | G | N-d1 | S | b | h | H | Torque | Turns | |
|-------|-----|------|------|------|------|------|------|-------|-------|------|------|---|-------------|-----|-----|------|------|----|----|----|--------|-------|----|
| | | PN10 | PN16 | PN10 | PN16 | PN10 | PN16 | PN10 | PN16 | PN10 | PN16 | | | | | | | | | | | | |
| DN40 | 140 | 150 | | 110 | | 84 | | 4-19 | | 18 | | 3 | F10 | 125 | 102 | 70 | 4-12 | 20 | 6 | 30 | 180 | 30 | 10 |
| DN50 | 150 | 165 | | 125 | | 99 | | 4-19 | | 19 | | 3 | F10 | 125 | 102 | 70 | 4-12 | 20 | 6 | 30 | 190 | 30 | 13 |
| DN65 | 170 | 185 | | 145 | | 119 | | 4-19 | | 19 | | 3 | F10 | 125 | 102 | 70 | 4-12 | 20 | 6 | 30 | 210 | 30 | 17 |
| DN80 | 180 | 200 | | 160 | | 133 | | 4-19 | 8-19 | 19 | | 3 | F10 | 125 | 102 | 70 | 4-12 | 20 | 6 | 30 | 230 | 40 | 20 |
| DN100 | 190 | 220 | | 180 | | 154 | | 8-19 | | 19 | | 3 | F10 | 125 | 102 | 70 | 4-12 | 20 | 6 | 30 | 265 | 40 | 25 |
| DN125 | 200 | 250 | | 210 | | 184 | | 8-19 | | 19 | | 3 | F10 | 125 | 102 | 70 | 4-12 | 20 | 6 | 30 | 305 | 60 | 21 |
| DN150 | 210 | 285 | | 240 | | 210 | | 8-23 | | 19 | | 3 | F10 | 125 | 102 | 70 | 4-12 | 20 | 6 | 30 | 350 | 70 | 25 |
| DN200 | 230 | 340 | | 295 | | 265 | | 8-23 | 12-23 | 20 | | 3 | F10 | 130 | 102 | 70 | 4-12 | 20 | 6 | 30 | 445 | 80 | 34 |
| DN250 | 250 | 405 | 350 | 355 | | 319 | | 12-23 | 12-28 | 22 | | 3 | F14 | 175 | 140 | 100 | 4-18 | 30 | 8 | 30 | 555 | 100 | 42 |
| DN300 | 270 | 460 | 400 | 410 | | 370 | | 12-23 | 12-28 | 24.5 | | 4 | F14 | 175 | 140 | 100 | 4-18 | 30 | 8 | 30 | 615 | 120 | 50 |
| DN350 | 290 | 520 | 460 | 470 | | 429 | | 16-23 | 16-28 | 26.5 | | 4 | F14 | 175 | 140 | 100 | 4-18 | 30 | 8 | 30 | 760 | 140 | 30 |
| DN400 | 310 | 580 | 515 | 525 | | 480 | | 16-28 | 16-31 | 28 | | 4 | F14 | 175 | 140 | 100 | 4-18 | 30 | 8 | 30 | 840 | 160 | 34 |
| DN450 | 280 | 640 | 565 | 585 | 530 | 548 | | 20-28 | 20-31 | 30 | | 4 | F14 | 175 | 140 | 100 | 4-18 | 30 | 8 | 30 | 910 | 200 | 38 |
| DN500 | 350 | 670 | 715 | 620 | 650 | 582 | 609 | 20-28 | 20-34 | 26.5 | 31.5 | 4 | F16 | 210 | 165 | 130 | 4-22 | 40 | 12 | 40 | 990 | 280 | 42 |
| DN600 | 390 | 780 | 840 | 725 | 770 | 682 | 720 | 20-31 | 20-37 | 30 | 36 | 5 | F16 | 210 | 165 | 130 | 4-22 | 40 | 12 | 40 | 1170 | 290 | 50 |

Yaxing product specifications in this catalog are for reference only. Yaxing reserves the rights to change without prior notice.