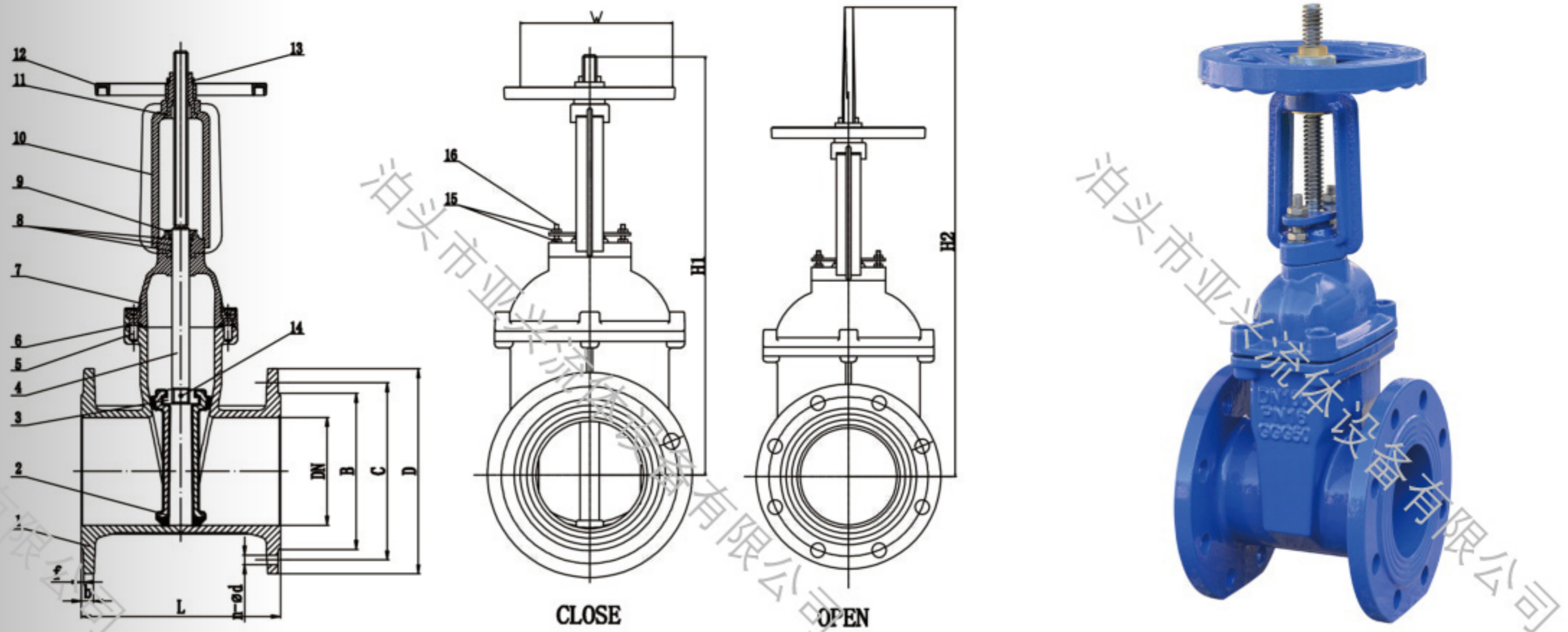


RISING STEM RESILIENT SEATED GATE VALVE DIN3352 F4/F5 DN40-DN600



Part & Materials		
NO	Part	Material
1	Body	Ductile Iron GGG50
2	Wedge	Ductile Iron GGG50+EPDM
3	Wedge Nut	Brass
4	Stem	SS420
5	Bolts	CS Gr 8.8
6	Gasket	EPDM
7	Bonnet	Ductile Iron GGG50
8	O Ring	EPDM
9	Gland	Ductile Iron GGG50
10	Yoke	Ductile Iron GGG50
11	Stem Nut	Brass
12	Handwheel	Ductile Iron GGG50
13	Lock nut	Carbon Steel
14	Pin	Carbon Steel
15	Nuts	CS/SS
16	Bolts	CS/SS

Technical Data		
NO	Description	Specification
1	Nominal Dia	DN40-DN600
2	Nominal Pressure	PN10&PN16
3	Valve Design Standard	DIN3352 F4/F5
4	Face to Face Standard	EN558&ISO5752 Series-14/15
5	Flange Standard Conformity	DIN2533
6	Testing Standard	DIN3230
7	Expoxy Coating	Epoxy powder coating with minimum thickness of 250 microns inside and outside.
8	Testing Pressure	
	Shell Test	PN*1.5Times
	Sealing Test	PN*1.1Times
9	Working Temperature(Max)	120°C

DIMENSIONS (MM)

DN	L		D		C		B	n-d		b		f	w	H1	H2	
	F4	F5	PN10	PN16	PN10	PN16		PN10	PN16	PN10	PN16					
DN40	140	240	150		110		84	4-19		18		3	160	300	350	
DN50	150	250	165		125		99	4-19		19		3	160	315	365	
DN65	170	270	185		145		119	4-19		19		3	160	335	400	
DN80	180	280	200		160		133	4-19	8-19	19		3	180	390	470	
DN100	190	300	220		180		154	8-19		19		3	200	425	525	
DN125	200	325	250		210		184	8-19		19		3	250	535	660	
DN150	210	350	285		240		210	8-23		19		3	250	575	725	
DN200	230	400	340		295		265	8-23	12-23	20		3	300	730	930	
DN250	250	450	405		350	355	319	12-23	12-28	22		3	330	950	1200	
DN300	270	500	460		400	410	370	12-23	12-28	24.5		4	380	1010	1310	
DN350	290	550	520		460	470	429	16-23	16-28	24.5	26.5	4	490	1305	1655	
DN400	310	600	565	580	515	525	480	16-28	16-31	24.5	28	4	490	1385	1785	
DN450	280	650	640		565	585	530	548	20-28	20-31	25.5	30	4	490	1455	1905
DN500	350	700	670	715	620	650	582	609	20-28	20-34	26.5	31.5	4	590	1695	2195
DN600	390	800	780	840	725	770	682	720	20-31	20-37	30	36	5	590	1875	2475

Yaxing product specifications in this catalog are for reference only. Yaxing reserves the rights to change without prior notice.