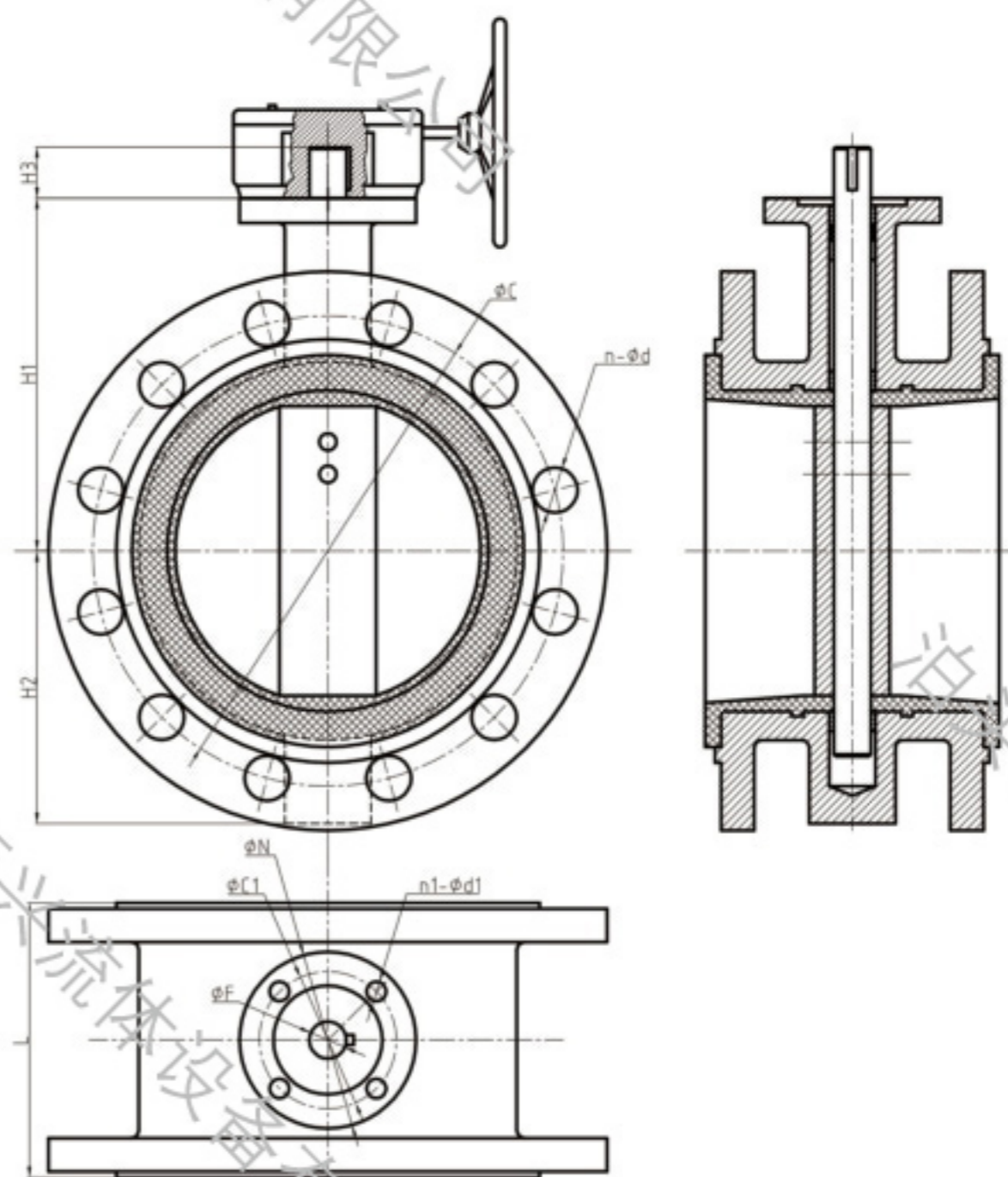


# BUTTERFLY VALVE

## FLANGED BUTTERFLY VALVE DN50-DN1200



**Part & Materials**

NO	Part	Material
1	Body	Ductile Iron GGG50+EPDM
2	Shaft	SS410
3	Disc	DI/CF8/CF8M
4	Pin	SS304
5	Sleeve	Polymer
6	Sealing	EPDM/NBR
7	Gear Box	Ductile Iron GGG50

**Technical Data**

NO	Description	Specification
1	Nominal Dia	DN50-DN1200
2	Nominal Pressure	PN10&PN16
3	Valve Design Standard	EN593
4	Face to Face Standard	EN558&ISO5752 Series-13
5	Flange Standard Conformity	DIN2501/EN1092
6	Expoxy Coating	Epoxy powder coating with minimum thickness of 250 microns inside and outside.
7	Working Temperature(Max)	120°C

**DIMENSIONS (MM)**

DN	L	H1	H2	H3	Flange Type	C1	N1-D1	DIN2501PN10		DIN2501 PN16		
								C	n-d	C	n-d	
DN50	108	110	80	29	F05	65	4-8	125	4-18	125	4-18	12.6
DN65	112	134	80	29	F05	65	4-8	145	4-18	145	4-18	12.6
DN80	114	131	95	29	F05	65	4-8	160	8-18	160	8-18	12.6
DN100	127	150	114	29	F05	90	4-10	180	8-18	180	8-18	15.77
DN125	140	170	113	29	F07	90	4-10	210	8-18	210	8-18	18.92
DN150	140	180	139	29	F07	90	4-10	240	8-22	240	8-22	18.92
DN200	152	210	175	35	F10	125	4-12	295	8-22	295	12-22	22.1
DN250	165	246	204	35	F10	125	4-12	350	12-22	355	12-26	28.45
DN300	178	276	246	35	F10	125	4-12	400	12-22	410	12-26	31.6
DN350	190	312	253	45	F10	125	4-12	460	16-22	470	16-26	31.6
DN400	216	343	282	51.2	F14	175	4-18	515	16-26	525	16-30	33.15
DN450	222	380	323	51.2	F14	175	4-18	565	20-26	585	20-30	38
DN500	229	436	352	64.2	F14	175	4-18	620	20-26	650	20-33	41.15
DN600	267	515	415	70.2	F16	210	4-22	725	20-30	770	20-36	50.65
DN700	292	561	481	66	F25	300	8-18	840	24-30	840	24-36	63
DN800	318	622	532	66	F25	300	8-18	950	24-33	950	24-39	63
DN900	330	690	555	118	F25	300	8-18	1050	28-33	1050	28-39	75
DN1000	410	727	674	142	F25	300	8-18	1160	28-36	1170	28-42	85

Yaxing product specifications in this catalog are for reference only. Yaxing reserves the rights to change without prior notice.