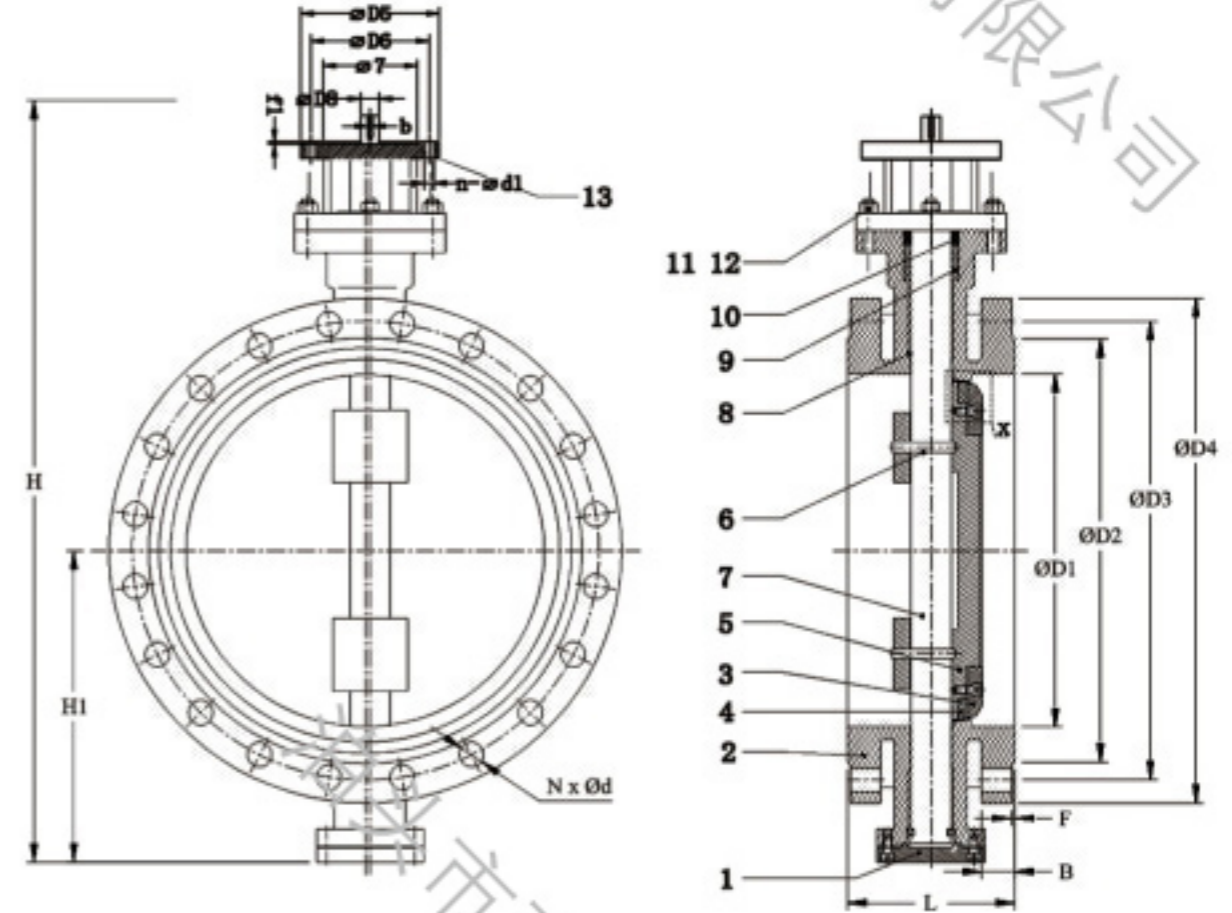


DOUBLE-ECCENTRIC FLANGED BUTTERFLY VALVE DN100-DN1200

Part & Materials		
NO	Part	Material
1	Cover	Ductile Iron GGG50+EPDM
2	Body	Ductile Iron GGG50+EPDM
3	Seat Retainer	SS304
4	Sealing Ring	EPDM
5	Disc	Ductile Iron GGG50+EPDM
6	Bolt	SS304
7	Stem	SS420
8	Pin Bushing	Bronze
9	Packing	Graphite/EPDM
10	Gland	WCB
11	Bolts	SS304
12	Nuts	SS304
13	Bracket	WCB



Technical Data		
NO	Description	Specification
1	Nominal Dia	DN100-DN1200
2	Nominal Pressure	PN10&PN16
3	Valve Design Standard	EN593
4	Face to Face Standard	EN558&ISO5752 Series-13/14
5	Flange Standard Conformity	DIN2501/EN1092
6	Testing Standard	EN12266-1
7	Expoxy Coating	Epoxy powder coating with minimum thickness of 250 microns inside and outside.
Testing Pressure		
8	Shell Test	PN*1.5Times
	Sealing Test	PN*1.1Times
9	Working Temperature(Max)	120°C



DIMENSIONS (MM)

DN	L		PN 16							H	H1	ISO 5211 TOP FLANGE TYPE							
	SERIES-13	Series-14	D1	D2	D3	D4	B	F	N*d			ISO-F	D5	D6	D7	D8	b	f1	n-d1
DN100	127	190	100	158	180	220	19	3	8*19	350	110	F07	90	70	55	18	6	3	4-10
DN125	140	200	125	184	210	250	19	3	8*19	380	125	F10	125	102	70	20	6	3	4-12
DN150	140	210	150	211	240	285	19	3	8*23	410	145	F10	125	102	70	20	6	3	4-12
DN200	152	230	200	266	295	340	20	3	12*23	520	170	F10	125	102	70	20	6	3	4-12
DN250	165	250	250	319	355	405	22	3	12*28	600	200	F12	150	125	85	24	6	3	4-18
DN300	178	270	300	370	410	460	24	4	12*28	650	235	F14	175	140	100	30	8	4	4-18
DN350	190	290	350	429	470	520	26	4	16*28	700	269	F14	175	140	100	30	8	4	4-18
DN400	216	310	400	480	525	580	28	4	16*31	830	300	F16	210	165	130	40	12	5	4-22
DN450	222	330	450	548	585	640	30	4	20*31	880	330	F16	210	165	130	40	12	5	4-22
DN500	229	350	500	600	650	715	31	4	20*34	920	355	F16	210	165	130	40	12	5	4-22
DN600	267	390	600	720	770	840	36	5	20*37	1050	400	F25	300	254	200	45	14	5	8-18
DN700	292	430	700	794	840	910	39	5	24*37	1200	465	F25	300	254	200	45	14	5	8-18
DN800	318	470	800	901	950	1025	43	5	24*40	1350	520	F30	350	298	220	50	16	5	8-22

Yaxing product specifications in this catalog are for reference only. Yaxing reserves the rights to change without prior notice.