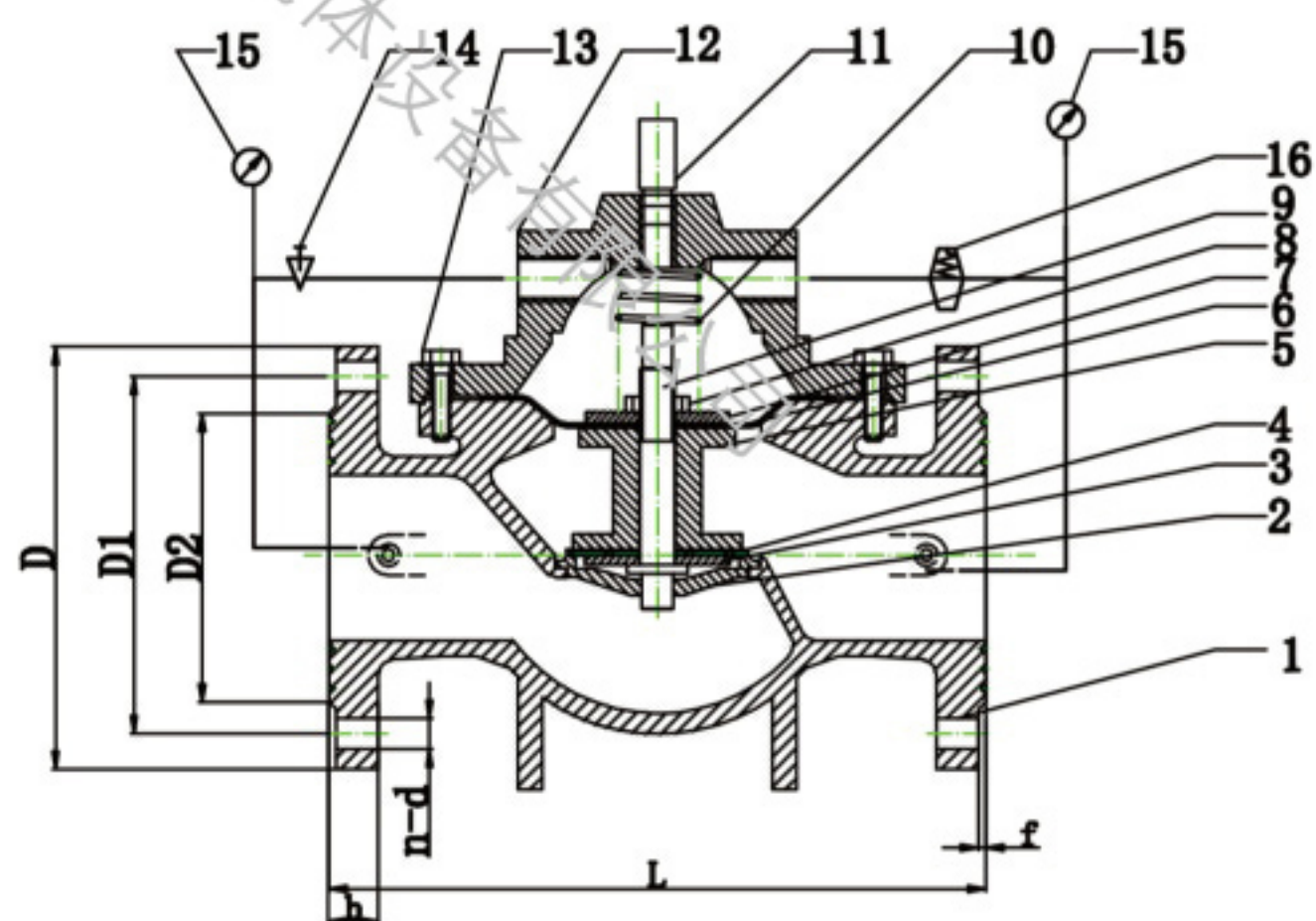


# HYDRAULIC CONTROL VALVE

## FLOW CONTROL VALVE DN50-DN800



| Part & Materials |                      |                    |
|------------------|----------------------|--------------------|
| NO               | Part                 | Material           |
| 1                | Body                 | Ductile Iron GGG50 |
| 2                | Seat                 | Brass              |
| 3                | Platen               | CS                 |
| 4                | Sealing              | EPDM               |
| 5                | Disc                 | Ductile Iron GGG50 |
| 6                | Dlamphragm           | EPDM               |
| 7                | Platen               | CS                 |
| 8                | Nut                  | Stainless Steel    |
| 9                | Stem                 | SS410              |
| 10               | Spring               | Stainless Steel    |
| 11               | Flow Pilot Valve     | SS304              |
| 12               | Bonnet               | Ductile Iron GGG50 |
| 13               | Bolts                | A2-70              |
| 14               | Needle               | SS304              |
| 15               | Pressure Gauge       | -                  |
| 16               | Pressure Pilot Valve | SS304              |



| Technical Data |                            |  |
|----------------|----------------------------|--|
| NO             | Description                | Specification  |
| 1              | Nominal Dia                | DN50-DN800   |
| 2              | Nominal Pressure           | PN10&PN16  |
| 3              | Flange Standard Conformity | EN1092-2   |
| 4              | Expoxy Coating             | Epoxy powder coating with minimum thickness of 250 microns inside and outside. |
| 5              | Working Temperature(Max)   | 80°C   |

### DIMENSIONS (MM)

| DN    | L    | D    |      | C    |      | B    |      | n-d   |       | b    |      | f |
|-------|------|------|------|------|------|------|------|-------|-------|------|------|---|
|       |      | PN10 | PN16 | PN10 | PN16 | PN10 | PN16 | PN10  | PN16  | PN10 | PN16 |   |
| DN50  | 240  | 160  |      | 125  |      | 99   |      | 4-19  |       | 19   |      | 3 |
| DN65  | 240  | 180  |      | 145  |      | 119  |      | 4-19  |       | 19   |      | 3 |
| DN80  | 292  | 195  |      | 160  |      | 133  |      | 8-19  |       | 19   |      | 3 |
| DN100 | 325  | 215  |      | 180  |      | 154  |      | 8-19  |       | 19   |      | 3 |
| DN125 | 349  | 245  |      | 210  |      | 184  |      | 8-19  |       | 19   |      | 3 |
| DN150 | 400  | 280  |      | 240  |      | 210  |      | 8-23  |       | 19   |      | 3 |
| DN200 | 435  | 335  |      | 295  |      | 265  |      | 8-23  | 12-23 | 20   |      | 3 |
| DN250 | 510  | 405  | 350  | 355  |      | 319  |      | 12-23 | 12-28 | 22   |      | 3 |
| DN300 | 600  | 460  | 400  | 410  |      | 370  |      | 12-23 | 12-28 | 24.5 |      | 4 |
| DN350 | 675  | 520  | 460  | 470  |      | 429  |      | 16-23 | 16-28 | 26.5 |      | 4 |
| DN400 | 730  | 575  | 515  | 525  |      | 480  |      | 16-28 | 16-31 | 28   |      | 4 |
| DN450 | 720  | 635  | 565  | 585  |      | 530  |      | 20-28 | 20-31 | 30   |      | 4 |
| DN500 | 790  | 710  | 620  | 650  | 582  | 609  |      | 20-28 | 20-34 | 31.5 |      | 4 |
| DN600 | 970  | 840  | 725  | 770  | 682  | 720  |      | 20-31 | 20-37 | 36   |      | 5 |
| DN700 | 1120 | 910  |      | 840  |      | 794  |      | 24-31 | 24-37 | 39.5 |      | 5 |
| DN800 | 1200 | 1025 |      | 950  |      | 901  |      | 24-34 | 24-40 | 35   | 43   | 5 |

Yaxing product specifications in this catalog are for reference only. Yaxing reserves the rights to change without prior notice.