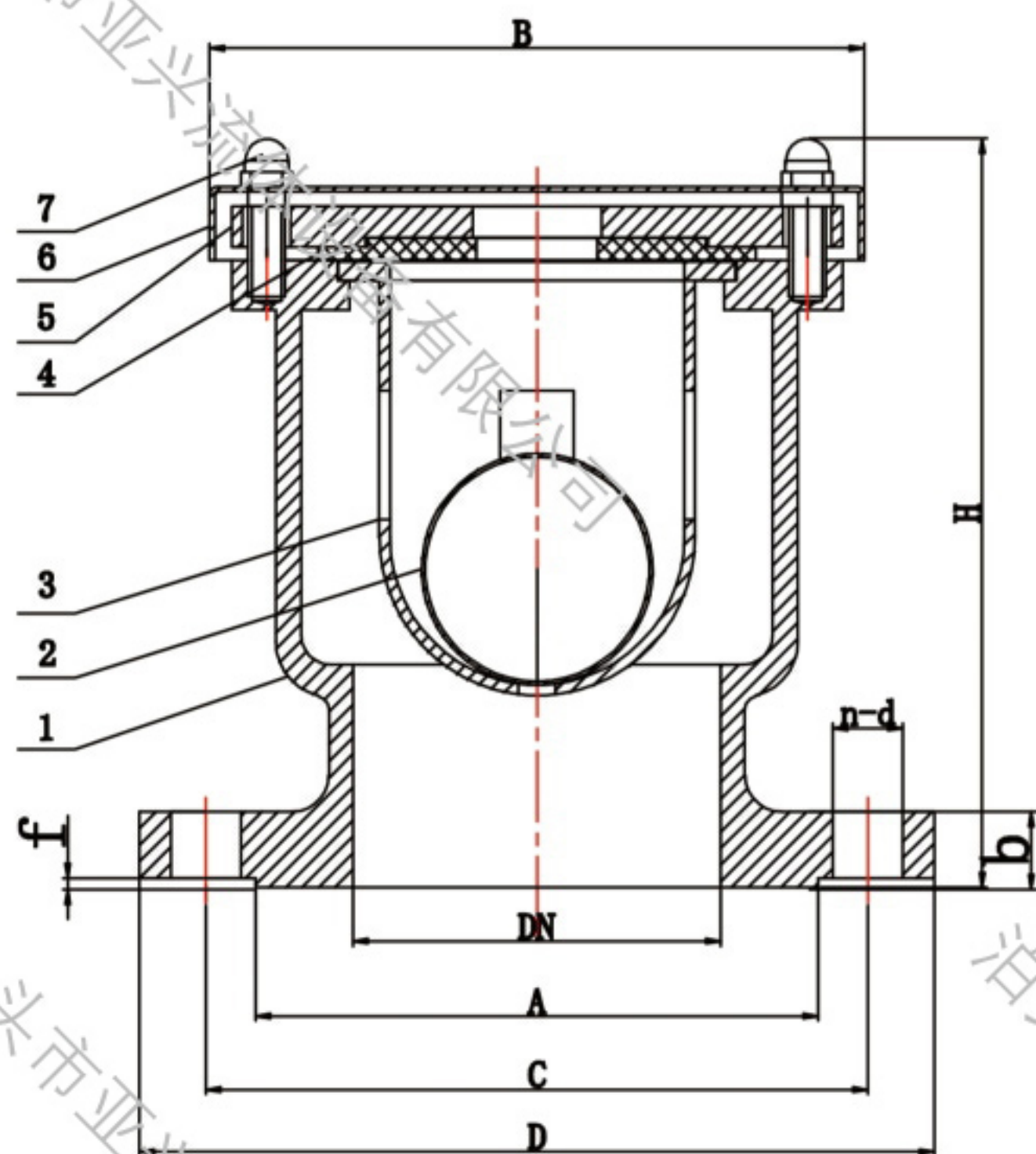


# AIR VALVE

## SINGLE ORIFICE AIR VALVE DN40-DN300



Part & Materials		
NO	Part	Material
1	Body	Ductile Iron GGG50
2	Ball	Stainless Steel
3	Bracket	Plastice
4	Sealing Gasket	NBR
5	Bonnet1	Ductile Iron GGG50
6	Bonnet2	CS
7	Bolt/Nut	CS



Technical Data		
NO	Description	Specification
1	Nominal Dia	DN40-DN300
2	Nominal Pressure	PN10&PN16
3	Valve Design Standard	EN1074-4:2000
4	Flange Standard Conformity	EN1092-2
5	Epoxy Coating	Epoxy powder coating with minimum thickness of 250 microns inside and outside.
6	Working Temperature(Max)	80°C

### DIMENSIONS (MM)

DN	B	D		C		A		n-d		b		f	H
		PN10	PN16	PN10	PN16	PN10	PN16	PN10	PN16	PN10	PN16		
DN40	175	150		110		84		4-19		19		3	235
DN50	175	165		125		99		4-19		19		3	235
DN65	175	185		145		119		4-19		19		3	235
DN80	195	200		160		133		8-19		19		3	250
DN100	195	220		180		154		8-19		19		3	270
DN125	240	250		210		184		8-19		19		3	270
DN150	240	285		240		210		8-23		19		3	270
DN200	280	335		295		265		8-23	12-23	20		3	295
DN250	360	405	350	355		319		12-23	12-28	22		3	390
DN300	360	460	400	410		370		12-23	12-28	24.5		4	400

Yaxing product specifications in this catalog are for reference only. Yaxing reserves the rights to change without prior notice.