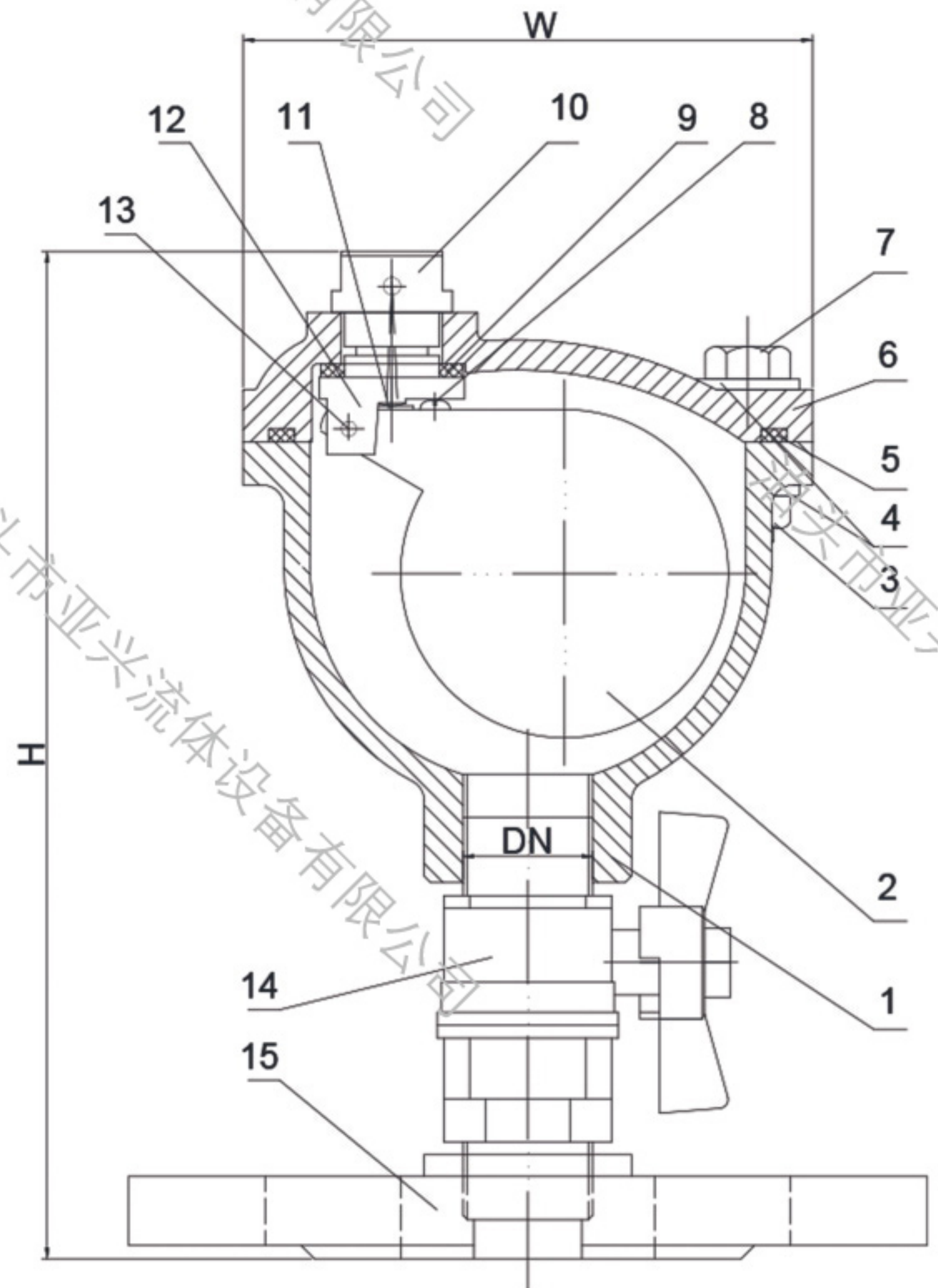


AIR VALVE

SINGLE FUNCTION AIR VALVE



Part & Materials		
NO	Part	Material
1	Body	Ductile Iron GGG50
2	Ball	Stainless Steel
3	Nut	CS Gr4.8
4	Washer	CS
5	O-Ring	EPDM
6	Coner	Ductile Iron GGG50
7	Hexagon Bolt	CS
8	Adjusting Screw	Stainless Steel
9	Gasket	EPDM
10	Cap	Brass
11	Seat	EPDM
12	Bracket	Nylon
13	Hinge Pin	Stainless Steel
14	Ball Valve	Brass
15	Oval Flange DN40-DN65	Ductile Iron GGG50

Technical Data		
NO	Description	Specification
1	Nominal Dia	DN15-DN32
2	Nominal Pressure	PN10&PN16
3	Valve Design Standard	EN1074-4:2000
4	Flange Standard Conformity	EN1092-2
5	Epoxy Coating	Epoxy powder coating RAL5005 with minimum thickness of 250 microns inside and outside.
6	Working Temperature(Max)	80°C

DIMENSIONS (MM)

DN	W	H
DN15	132	224
DN20	132	224
DN25	132	224
DN32	132	224

Yaxing product specifications in this catalog are for reference only. Yaxing reserves the rights to change without prior notice.