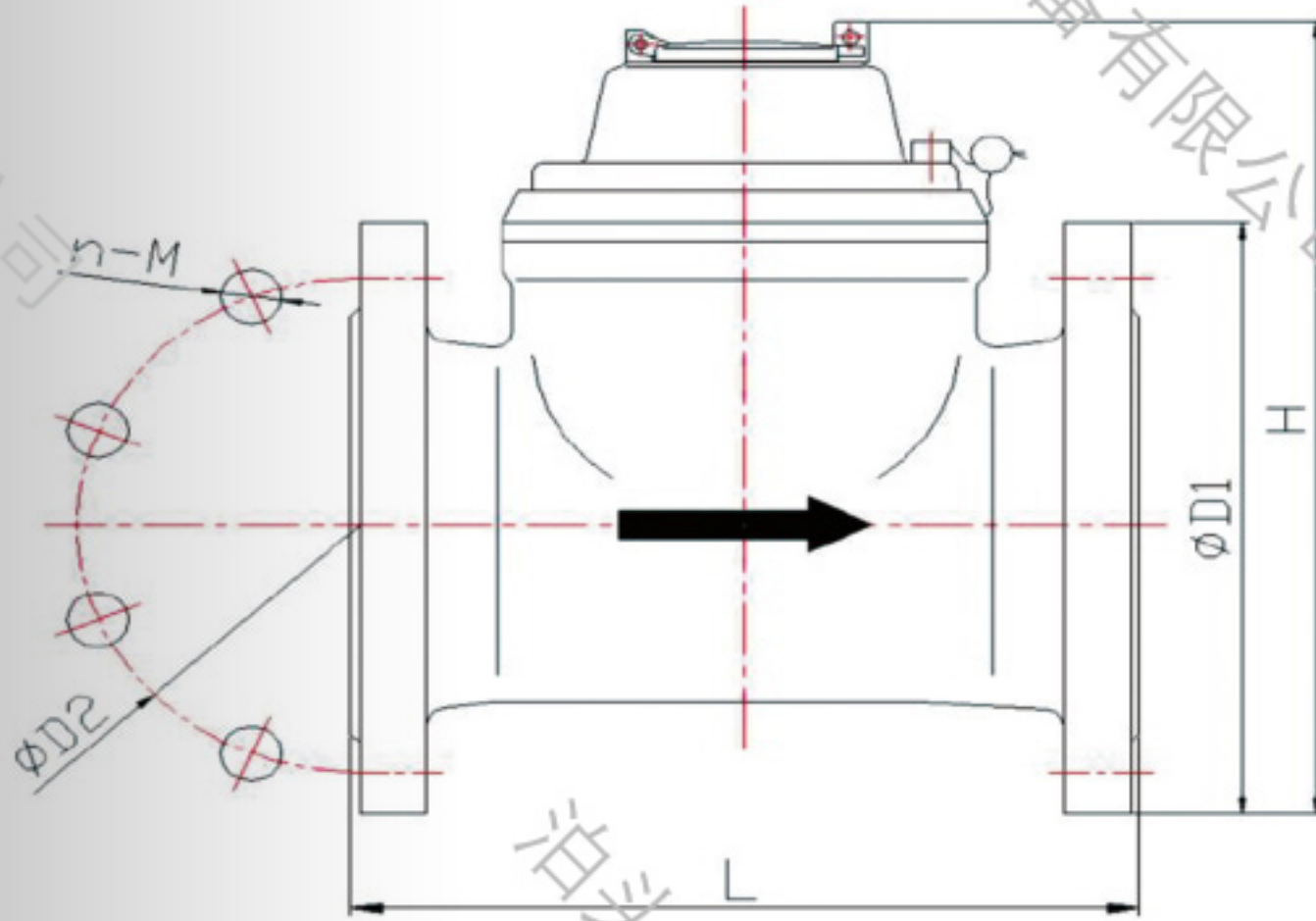


FLANGED WATER METER ISO4064 DN40-DN600



DN	L	Overload Flow Q4	Permanent Flow Q3	Transitional Flow Q2	Min.Flow	Minimum Reading	Maximum Reading
		m ³ /h					
DN40		31.25	25	0.8	0.5	0.0005	999,999
DN50		31.25	25	0.8	0.5	0.0005	999,999
DN65		50	40	1.28	0.8	0.0005	999,999
DN80		78.75	63	2	1.26	0.002	999,999
DN100	R50	125	100	3.2	2	0.002	999,999
DN125	(R80)	200	160	5.12	3.2	0.002	999,999
DN150		312.5	250	8	5	0.002	999,999
DN200		500	400	12.8	8	0.002	999,999
DN250		787.5	630	20.16	12.6	0.02	99,999,999
DN300		1250	1000	32	20	0.02	99,999,999



Technical Data		
NO	Description	SSpecification
1	Nominal Dia	DN40-DN600
2	Nominal Pressure	PN10&PN16
3	Design Standard	ISO4064
4	Flange Standard Conformity	EN1092-2
5	Epoxy Coating	Epoxy powder coating with minimum thickness of 250 microns inside and outside.

DIMENSIONS (MM)

DN	L	H	D1		D2		n-M	
			PN10	PN16	PN10	PN16	PN10	PN16
DN40	200	210	150		110		4-16	
DN50	200	214	165		125		4-16	
DN65	200	224	185		145		4-16	
DN80	225	279	200		160		8-16	
DN100	250	289	220		180		8-16	
DN125	250	299	250		210		8-16	
DN150	300	319	285		240		8-20	
DN200	350	346	340		295		8-20	12-20
DN250	450	434	395	445	350	355	12-20	12-24
DN300	500	480	405	460	400	410	12-20	12-24

Yaxing product specifications in this catalog are for reference only. Yaxing reserves the rights to change without prior notice.